



**MAXUS**

Disclaimer \* The information, specifications, prices and colors mentioned on this page may vary and are subject to change without notice. Please contact customer service or visit the nearest showroom for availability and prices



**MAXUS**



**D90 PRO**  
**DIESEL**

New frontiers in power and performance



بوابة العربات  
MOTORS GATE

## >> SAIC MOTOR

SAIC Motor is the largest auto company on China's A-share market (Stock Code: 600104.SH) with a total equity of 11.683 billion shares. SAIC Motor is striving to grasp the development trend of the industry, accelerate innovation and transformation, and grow into a comprehensive provider of auto products and mobility services from a traditional manufacturing enterprise.

In 2019, total annual sales of SAIC Motor reached 6.238 million units, with a domestic market share of 22.7%. While maintaining the leading position in the domestic auto market, its sales of new energy vehicles reached 185,000 units, achieving a YOY growth of 30.4% and keeping the momentum of rapid growth. Whole vehicle export and overseas sales reached 350,000 units, achieving a YOY growth of 26.5%, ranking the first among domestic auto groups.

## >> SAIC MAXUS

SAIC MAXUS Automotive Co. Ltd (hereinafter as referred to as "SAIC MAXUS") is a wholly-owned subsidiary of SAIC MOTOR CORPORATION LIMITED. Established on 21st March, 2011, the company is located at No.2500 Jungong Road in Shanghai. With a registered capital of 3.794 billion RMB, it owns Wuxi branch, Nanjing branch, SAIC MAXUS Motor Home Science & Technology Co., Ltd, Wuxi Shenlian Special Purpose Vehicle Co., Ltd, SAIC MAXUS Sales and Services Co., Ltd.

Products matrix of "SAIC MAXUS" brand includes MPV, SUV, RV, wide-bodied light passenger vehicle, pick-up and other passenger and commercial vehicles as well as light and medium size van and various special purpose vehicles under "SAIC Yuejin" brand. The company has an annual capacity of 200,000; Nanjing production base is responsible for producing "SAIC Yuejin" light and medium size cargo van with an annual capacity of 100,000; Liyang production base is the world's largest motor home manufacture with a production capacity exceeding 25,000. The company has also set up production bases in Malaysia and Thailand.

As an international brand of SAIC Motor, SAIC MAXUS is honored to have served the Youth Olympics, APEC, G20 and other high-level international conferences with its state-guest-level quality. In terms of overseas market, products of SAIC MAXUS cover 48 countries and regions in the world with Australia, New Zealand, UK, Ireland and other developed countries contributing most to overseas sales, SAIC MAXUS is becoming a Chinese brand marching towards the world.

Adhering to its core brand value of "Technology, Trust, Ambition", SAIC MAXUS initiated the C2B business model in the automobile industry which allows real-time, online and transparent interaction with users along the entire value chain and customized production as well as intelligent manufacturing. Through business model and commercial model innovation, SAIC MAXUS dedicates to be "driven by users, providing automobile products and lifestyle service with global competitiveness and creating value for users."

**Showcase brand image and  
go with the future**

**Rooted in the world stage and  
achieve global network**

# Heritage with a history of 120 years

Time is the catalyst for qualitative leaps  
 Profound accumulation leads to new life

SAIC MAXUS – The Legendary International Brand of Vehicle

As one of Europe's most influential and recognizable commercial vehicle brands, MAXUS not only accumulates a century-old development experience of commercial vehicles and strong technologies, but also leads international commercial vehicle market with its constant efforts of innovative expansion. It is now being seen all over the world and is known as a legendary international brand of commercial vehicle.

In 2009, SAIC Motor, the world's Fortune 500 enterprise, made a full acquisition of British Motor Corporation's technology platform and intellectual property rights of MAXUS brand. MAXUS was introduced into China and named as "Da Tong" in Chinese. This initiative not only set a new milestone in the development of commercial vehicles in China, but also ushered a brilliant new chapter of the legendary brand MAXUS.



# Change a lifestyle

## Champion Of Diesel Engine

- The most spacious 3rd-row space of its kind.
- The optimal passive safety of its kind.
- The most powerful 4WD system and its kind.



Inspired by the application of  
"deconstruction" in architecture,  
The automotive design of SAIC MAXUS D90 presents:  
Break-to change continuity or completeness,  
Reorganization-to meet functional reconstruction,  
Constant change-the static display of movements,  
To break the inherent layout;  
SAIC MAXUS D90 carefully carved for equarters,  
Not only sporty ,but also ensures the head space  
of the third row.Makes a strong car body without losing  
its layers, and the distinguished lines look more smooth.



## Innovative design, leading on the road



### >> Integrated suspended roof line design

Use the laser welding technology of "zero clearance with roof cover" combined with high quality laser brazing, a surface welding technology and the welding length reached 5,000mm. Strengthen welding technology and make welding seam more delicate.



### >> Streamlining luggage rack unified with roof

The 1.9-metre-long 3D full aluminum top luggage rack meets the machining accuracy requirements of the aircraft. It hides attachments and well integrates function and decoration.



### >> Striking LED hi-tech headlights

Sharp eyes make the car head look more sporty with pure light color, farther irradiation distance, low power and heat, energy saving and environmental protection and long service life. The response speed can reach nanoscale and light up without delay.



### >> G-shape LED taillights with thick walls

Highly recognizable taillights, beautiful, clear and the car behind can easily identify the model.

The interior adopts the concept of "parametric design",  
 Recreates the wonders of nature with modern craftsmanship and technology:  
 Horizontally flattening IP dashboard design,  
 Transverse surrounded doors with extension layout  
 With panoramic sunroof and integrated cockpit,  
 The interior design is full of rhythm of art,  
 Stereo layered design with both forms and functions  
 Combined with panoramic sunroof,  
 Not only allows the interior to stretch smoothly,  
 But also has low noise design and 64-color mood lighting  
 Provides a "broad" vision and comfortable driving experience.



## Ingenious Interior Opens Your Heart



### >> Inner Cabin Design

Horizontally flattening IP dashboard design highlights the horizontal open feeling; The IP dashboard and doors stretch horizontally and encircle; Stereo layered design has both forms and functions.



### >> Elaborate interior detail

The parametric design of interior and other details are carefully crafted and the detail processing can reflect the meticulous and rigorous vehicle production.



### >> Multifunctional steering wheel with sportive flat bottom

Leather wrapped, best hand feeling, classic design with four ways, well-organized control characteristics, four-direction adjustment to meet the needs of different figures, selection of steering wheel heating to greatly increase winter operating comfort.



### >> Embracing an integrated cockpit

Greater space, better vision, more comfortable driving experience.



### >> Comfortable leather seats with diamond-shape patterns

Luxury diamond-shape pattern and French double seam are widely used in SAIC MAXUS D90 with exquisite workmanship, bringing comfortable experiences.

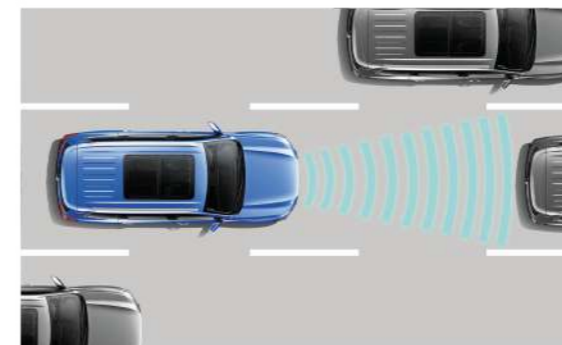
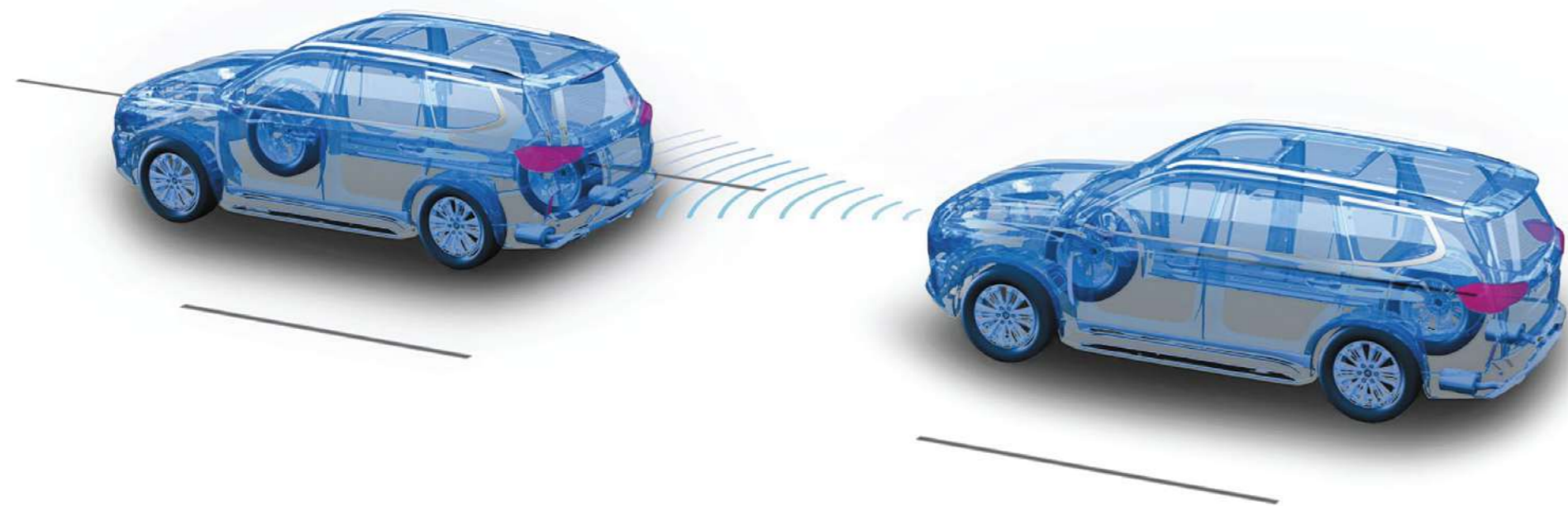


### >> Horizontally flattening IP dashboard design

Save more space and provide a more comfortable experience

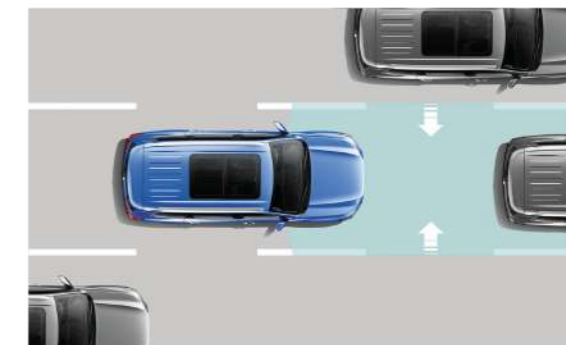
## New generation ADAS

Developed by a research company with the world's most advanced vision algorithm and driving aid system chip technology, its recognition ability is superior to human eyes and can master deep intelligent learning



### >> ACC(Adaptive Cruise Control)

0-150km/h automatic cruising function is realized through intelligent gas and brake control. Easily coping with cars followed while waiting for red light or in traffic jam. Free your feet with continuous use of this function.



### >> LDW (Lane-Departure Warning)

The system takes over the steering wheel, allowing the vehicle to automatically drive in the lane line, thus freeing your hands.



### >> Mobileye high-sensitivity camera with machine vision

Developed by a research company with world's most advanced vision algorithm and driving aid system chip technology, its recognition ability is superior to human eyes and can master deep intelligent learning.



### >> PDS pedestrian detection system

Machine vision is superior to human eyes and can identify people, children, cars, cyclists (need obvious features of a person), then transmits information to the computer for analysis and judgment in order to give other system instructions.

## Travel over a long and trying journey Come back safe and sound

### >> Double five-star safety standards



C-NCAP 5-star collision standards  
A-NCAP 5-star collision standards

### >> Exceeding Rich Intelligent and Active Security

- FCW front intelligent collision warning system
- AEB automatic emergency brake
- LDW lane departure warning
- Fatigue detection
- BSD blind-spot monitoring system
- Bosch's newest generation of ESP (Electronic Stability Program)
- RMI active rollover protection
- TPMS intelligent tire pressure monitoring system
- Auto anti-dazzle rearview mirror
- 360 panoramic visual driving assist

### >> best passive safety among peers

- 2510mm longest side cushion among peers
- All rounded six airbags
- Strongest thermoforming pillar among peers
- 5000mm longest roof laser welding
- More than 70% strong and ultra-strong steel car body
- Chassis armor protection
- TCS Traction Control System
- EDC Engine Drag Control
- ISOFIX and Top-Tether







## Intelligent Interconnection Providing an Information Superhighway

To communicate with outside world by intelligent internet while seating in the car becomes a popular demand from drivers and passengers. With a standard 12.3-inch high-definition touch screen, SAIC MAXUS D90 redefines the smart life. Using cubic design and HMI design conveying a sense of vertical layers, create a lively suspension effect full of technical sense.

The resolution ratio of 12.3-inch large screen can reach 1920\*720. If they like, passengers can share their trip journals and use intelligent payments during the journey. HD screen brings about a disruptive visual experience;

SAIC MAXUS D90 uses 8-inch high-definition digital dashboard, furthermore, it possesses OTA air remote iterations. Online music and voice interaction can be chosen freely and give you a happy journey.

# Intelligent Technology, Open the new world of driving fun

The moment you enter SAIC MAXUS D90,

You enter a futuristic world filled with intelligent futuristic technology.

Intelligent Start-Stop, one-button start ,

Not only energy saving

but also providing more drive selections.

Theater-level NVH mute effect,

Admire the external scenery while

enjoy the inner peace.

More hi-tech equipment,

Let you guide the future and

Walk with safety and comfort.



## >> Intelligent Start-Stop

Engine intelligent start-stop can minimize the fuel loss under idling conditions, avoiding energy waste and having a great meaning for energy conservation and emission reduction.



## >> One-button start

Carry about the key and you can press the button to unlock car doors without taking out the key. Move shifter to P, step on the brake and hold for 3s, then you can start and stop the engine in a convenient way.



## >> Induction electric tail door

The tail door is easy to open with four methods: key, reading light switch, Touchpad and Kick sensor. It has an intelligent anti-clamp function. If the tail door encounters obstacles during its opening and closing, a reversal stop can effectively avoid clamp. Garage mode can adjust the height of the tail door. Long press the interior panel close button in ideal height, release the button after the beep, then the tail door opens its memory mode.



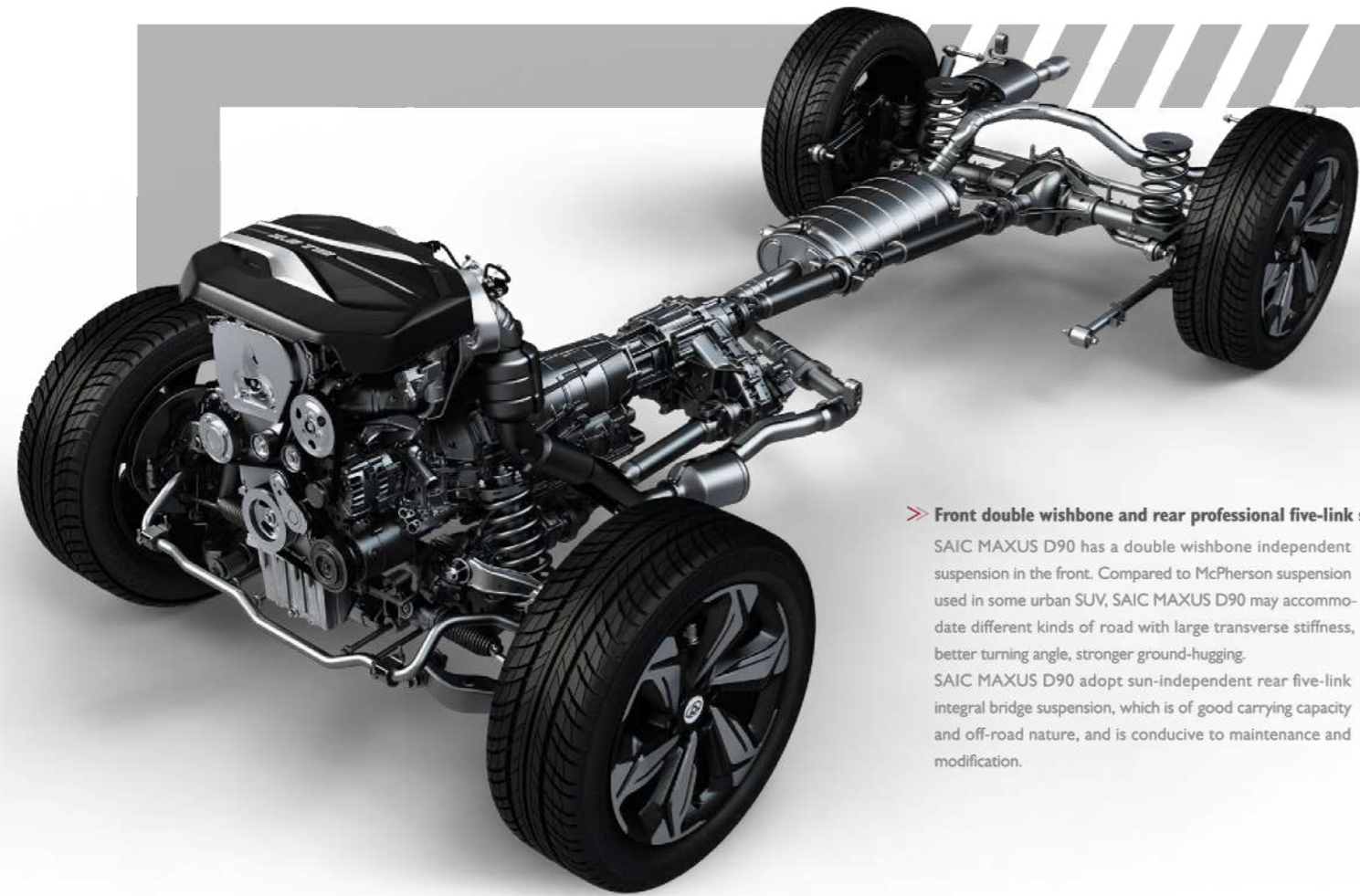
## >> Theater-level NVH mute effect

Body design with systematic noise reduction, active noise cancelling system and thick passive acoustic insulation package, give you the tranquil experience of Xanadu.



## >> Seat functions: power ventilation, heating, massage and memory

Car seats have such functions as ventilation, heating, massage and memory which can provide you and your family a comfortable and pleasant ride feeling.



» **Front double wishbone and rear professional five-link suspension**

SAIC MAXUS D90 has a double wishbone independent suspension in the front. Compared to McPherson suspension used in some urban SUV, SAIC MAXUS D90 may accommodate different kinds of road with large transverse stiffness, better turning angle, stronger ground-hugging. SAIC MAXUS D90 adopt sun-independent rear five-link integral bridge suspension, which is of good carrying capacity and off-road nature, and is conducive to maintenance and modification.



» **Seven driving modes for all terrains**

- Auto mode
- ECO mode
- SNOW mode
- SAND mode
- MUD mode
- ROCK mode
- SPORT mode



» **Power controlled mechanical differential locks**

When a skid occurs on one side of the rear wheel, the mechanical differential locks can provide rigid connection between two half shafts of the rear wheel and integrates them. So that both sides of the wheel can have same momentum to help the vehicle get out of trouble more quickly.

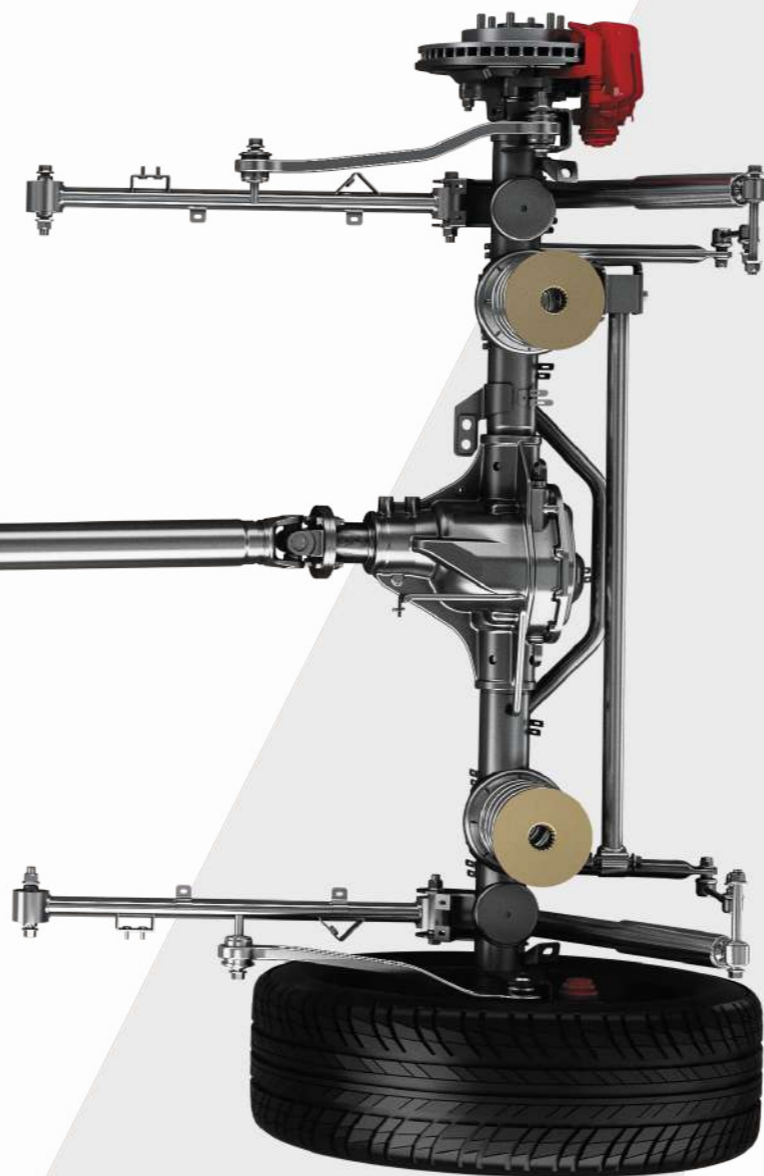


**D90 PRO DIESEL**



>> **Luxury-class steering performance**

Adopt belt-driven R-EPS electric steering mechanism, equipped with more compact new generation brushless motor and ECU integrated unit EPP; Maximum rack force may attain 12KN, equipped with ball-screw structure which has better transfer efficiency, transmission friction and stiffness compared to turbine worm structure, more easily to ensure the low friction and accuracy of steering and can achieve luxury-class steering performance.



**Global First: two kinds of four-wheel drive mode for your choice**



>> **All-terrain intelligent real-time four-wheel drive**

Seven types of driving mode to achieve full road coverage and to meet the driving needs of different users.



>> **Professional part-time four-wheel drive (4WD)**

Three kinds of driving mode which can be set to 2H/4H/4L, satisfying different driving demands and suitable for professional off-road players.

2.0T Direct-injection Turbo diesel engine with high-performance <

SAIC Motor All-new-Large-Engine series especially strengthens and adjusts SAIC MAXUS D90 PRO with the Peak torque up to 375Nm and the maximum horsepower up to 160 hp



> 2.0T Direct-injection Twin-turbo diesel engine with high-performance

SAIC Motor All-new-Large-Engine series especially strengthens and adjusts SAIC MAXUS D90 PRO with the Peak torque up to 480Nm and the maximum horsepower up to 214 hp

## If filled with emotion, then why fear constant changes?

- **EPS Electronic power steering**

Replace traditional HPS hydraulic power steering and average energy consumption can be reduced by 80%.

- **Electronic Pump**

Better control over flow of engine coolant.

- **Electronic Thermostat**

Compared with paraffin-thermostat, electronic thermostat can control the flow of coolant more accurately and improve the efficiency of engine.

- **Variable displacement air compressor**

Effectively reduce the system energy consumption caused by high fluctuation of air-conditioning's temperature and system's frequent switch. In addition, it can effectively reduce the distracting for automo-

bile engine caused by the periodic clutch of the compressor.



» Real full-size SUV (mm)

Length 5005  
Width 1932  
Height 1875  
Ultralong wheelbase 2950

» Distinguished interior space (mm)

First row head room 1025  
First row shoulder room 1530  
Second row head room 1005  
Second row shoulder room 1532  
Second row maximum moving distance 1122

» Three separate seats of theatre-style in third row. (mm)

Third row head room 955  
Third row shoulder room 1425  
Third row maximum longitudinal knee space 960



» Trans-Beyond airline business class seats available for lying flat.

In "1+2" and "1+2+2" seat layout, the seats can span longitudinally across the space of the first and second rows, liberating more room for front passenger seat, providing passengers with ultimate comfort and space, improving luxury experience. Furthermore, there are eight kinds of flexible seat layout from 3 to 8 seats for your choice.



» Huge luggage space

The second and third rows can be completely laid flat, forming a 2.3m\*1.5m space; large trunk space of 350L-2390L.



» User-friendly storage space

SAIC MAXUS D90 provides rich and convenient user-friendly facilities with 35 storage spaces, gives special care to each passenger with biggest convenience and comfort.

The space is tangible but the pattern is invisible.

## User-friendly facilities make comfort easier



### >> Air Clean System

Monitor the PM2.5 concentration in car at all times and can filter PM2.5 particulate matter, keep the air fresh and provide comfortable and healthy ride environment.



### >> Universal Panoramic Sunroof

Lighting area reaches 1.14 square meters, openable area reaches 0.53 square meters; Sunroof control module is provided by "Bosch" and has clamp-proof function; Electric window shades with 100% sun-shading are made from German imported fabric.

Choose your

## Innovative exterior

Optional configurations:

Exterior color, wheel hub and tyre, radiator grille, body decoration trim set, wheel trim, personalized micro-logo, body decoration mask, front and rear headlamps, decorative color of front headlamps, surface color of rear taillights, sunroof, lower decoration plate of front bumper, tailpipe, rear privacy glass, brake caliper color

Choose your

## Safe control

Optional configurations:

Chassis protection plate, side airbag curtain, tire pressure monitoring system, parking brake, rear view camera, blind zone monitoring system

Choose your

## Technology interconnection

Optional configurations:

Moodlighting, Automatic parking auxiliary system, instrument screen type, ADAS intelligent auxiliary automatic driving system, loudspeaker, wireless charging device for mobile phone, air purifier

Choose your

## Basic equipment

Optional configurations:

gearbox, driving mode, differential locks, seat layout

Choose your

## Ingenuity Interior

Optional configurations:

Seat cover fabric, seat fabric pattern, interior style, instrument panel, Auxiliary instrument table handle, welcome pedal, Shift lever, trunk net bag

Choose your

## Comfort and convenience

Optional configurations:

Car key color, PEPS (Passive Entry Passive Start), Air conditioning system, down-corner lamp, driver seat, front passenger seat, second row seats, external rearview mirror, inner rearview mirror, Rear door opening mode, key, steering wheel, steering wheel heating

## Exterior color



>> Sapphire Blue



>> Lava Grey



>> Obsidian Black



>> Blanc White

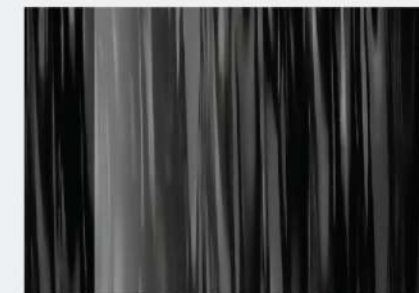
## Dashboard panel



>> cladded by beige leather



>> cladded by brown leather



>> cladded by black leather



>> carbon fiber



>> high-tech honeycomb

## Interior style



>> Beige interior



>> Brown interior



>> Black interior



>> High-end leather & cloth mixed seat



>> High-end leather seat

## Seat fabric



# Specification

D90 PRO Specification List-(Saudi Version)					
Model Lineup		7 seater Elite 2WD	7 seater Luxury 2WD	7 seater Executive 4WD	7 seater Executive Luxury 4WD
<b>Dimension &amp; Wheelbase</b>	length/width/height (mm)	5005/1932/1875			
	Wheelbase (mm)	2950			
	Seats Layout	2+3+2			
<b>Engine &amp; Transmission</b>	fuel type/displacement	2.0T Diesel		2.0 TT Diesel (Bi-turbo)	
	rated power	120Kw/375N.M		160KW/480N.m	
	Transmission type	8 AT			
<b>Wheel Drive</b>	horse power	120 hp		214 hp	
	Drive mode	2WD	2WD	4W (With ATS)	4W (With ATS)
<b>Tyres</b>	255/60/R18 (Hankook)	•	-	-	-
	255/55/R19 (Continental)	-	•	•	•
	265/45/R21 (Continental)	-	-	-	-
<b>Security &amp; Safety</b>	Reverse image	•	•	•	•
	BSV(360°Panoramic image)	-	•	-	•
	Front and rear parking sensor	•	•	•	•
	ESP+EBA(HAS, RMI, HDC)	•	•	•	•
	Differential lock	-	-	•	•
	TPMS tire pressure monitoring system	•	•	•	•
	Driver and sub-driver airbag	•	•	•	•
	Driver and sub-driver front Row Side Airbag	-	•	•	•
	Airbag Curtain	-	•	•	•
	reminder for driver of not fastening the seatbelt	•	•	•	•
	ISOFIX child seat interface	•	•	•	•
	Three-point seat belt for all seats	•	•	•	•
	With First-Aid Packet	•	•	•	•
	One-touch Up/Down Anti Pinch	•	•	•	•
	BSD blind spot monitoring system	-	-	-	•
	ADAS intelligent assisted autopilot system (including ACC adaptive cruise system, LDW lane departure warning, AEB automatic emergency braking)	-	-	-	•
	<b>Technology and entertainment</b>	12-inch smart high-definition touch screen	•	•	•
Driving computer display		8 inch	8 inch	8 inch	8 inch
USB+12V power port		•	•	•	•
Bluetooth		•	•	•	•
Radio+MP5+USB		•	•	•	•
Phone mapping		•	•	•	•
sound system		High Quality Speaker x6	High Quality Speaker x8	High Quality Speaker x6	High Quality Speaker x8
With Mobile Wireless Charging		-	-	-	-
2 Memory and Auto-dimming Rr View Mirror Revers Memory	-	-	-	•	

# Specification

<b>Comfort and convenience</b>	Polyurethane Multi-functional	•	-	-	-
	Leather Multi-functional with heated Steering Wheel	-	-	-	•
	Electronic power steering EPS	•	•	•	•
	Mechanical handbrake	•	-	-	-
	EPB Electronic Handbrake + Auto-Hold Automatic Parking	-	•	•	•
	PEPS keyless entry intelligent system and one button start	-	•	•	•
	Cruise control	•	•	•	•
	Tailgate	•	•	•	•
	Tailgate sensing open	-	-	-	-
	Air Conditioning System	manual	Auto	Auto	Auto
	Intelligent induction wiper	-	•	•	•
	Seat Material	fabric	leather	leather	leather
	Door Plank Decorative Pattern	Normal Pattern	Normal Pattern	Normal Pattern	Diamond Pattern
	Driver seat manual 6 way	•	-	-	-
	Driver seat 8 directional with electric adjustment +4 directional electric lumbar support	-	•	•	-
	Driver seat 8 directional with electric adjustment +4 directional electric lumbar support + 2 sets of memory + massage + ventilation + heating	-	-	-	•
	Co-Driver seat 4 directional manual adjustment	•	-	•	-
Co-Driver seat 4 directional with electric adjustment +4 lumbar support + electric heating	-	•	-	•	
<b>Exterior</b>	Second row air conditioner outlet	•	•	•	•
	Halogen lens headlight + halogen taillight	-	-	•	-
	LED Headlight With Automatic Induction Lamp + LED Rear Lamp	-	•	-	•
	Daytime running lamp	•	•	•	•
	Front and rear fog lights	•	•	•	•
	Sunroof	none	•	none	•
	Sidestep	•	•	•	•
	Welcome Pedal(With Light)	Welcome Pedal(No Light)	Welcome Pedal(No Light)	Welcome Pedal(No Light)	•
	Electric rearview mirror with heating	•	-	•	-
	Electric foldable rearview mirror with heating	-	•	-	•
	Manual anti-glare inner rearview mirror	•	•	•	•
Automatic anti-glare inner rearview mirror	-	-	-	•	
Grille	Wave Radiator	Wave Radiator	Wave Radiator	Wave Radiator	



As one of the world's top 500 enterprises and the largest Chinese automaker, SAIC Motor seek strategic cooperation with world-renowned auto parts enterprises; SAIC MAXUS D90 relies on global superior resources and all the key parts are provided by internationally recognized auto parts suppliers with reliable quality and outstanding performance.

- |  |   |  |
|--|---|--|
| <p><b>1</b> Gearbox<br/>Punch Powertrain (France)<br/>BMW, Cadillac</p> <p><b>4</b> Power controlled mechanical differential locks<br/>Dana<br/>Ford, BMW</p> <p><b>7</b> Carpet<br/>TUOPU<br/>Cadillac, Volkswagen</p> <p><b>10</b> Damper<br/>Sachs<br/>Mercedes Benz, BMW</p> <p><b>13</b> Airbag Controller<br/>Bosch<br/>Mercedes Benz, BMW</p> <p><b>16</b> LED Front Headlamps<br/>SK<br/>General Motors, Volkswagen, Ford</p> <p><b>19</b> Steering system<br/>TRW<br/>General Motors, Ford</p> <p><b>22</b> Dual-mass flywheel<br/>Valeo<br/>General Motors, Volkswagen</p> <p><b>25</b> Drive Shaft<br/>SDS<br/>Mercedes Benz, BMW</p> <p><b>28</b> EPB Electronic Hand brake<br/>TRW<br/>General Motors, Ford</p> | <p><b>2</b> All-wheel-drive system<br/>BorgWarner<br/>BMW, Audi</p> <p><b>5</b> Instrument panel<br/>Yan Feng<br/>BMW, General Motors, Ford</p> <p><b>8</b> Tail door pneumatic rod<br/>Stabilus<br/>Mercedes-Benz, Volkswagen</p> <p><b>11</b> Generator-Starter<br/>Valeo<br/>General Motors, Volkswagen</p> <p><b>14</b> Wiring Harness<br/>Delphi<br/>General Motors, Volkswagen</p> <p><b>17</b> Leather Fabric<br/>Bader<br/>General Motors</p> <p><b>20</b> Chassis set-up<br/>Mira<br/>Ferrari</p> <p><b>23</b> Single Skylight<br/>Aisin<br/>General Motors, Toyota</p> <p><b>26</b> Braking system<br/>TRW<br/>General Motors, Ford</p> | <p><b>3</b> Seat<br/>Yanfeng Adient<br/>BMW, General Motors, Ford</p> <p><b>6</b> Airbag<br/>Yanfeng KSS<br/>General Motors, Volkswagen</p> <p><b>9</b> Turbocharger<br/>Honeywell<br/>General Motors, Ford</p> <p><b>12</b> Tire<br/>Continental<br/>Mercedes Benz, BMW</p> <p><b>15</b> ADAS Active Security System<br/>Mobileye(Israel)<br/>Tesla, General Motors, Volkswagen</p> <p><b>18</b> BCM<br/>UAES<br/>BMW, General Motors, Volkswagen</p> <p><b>21</b> ESP<br/>Bosch<br/>Mercedes Benz, BMW</p> <p><b>24</b> Panoramic Skylight<br/>Inteva<br/>Volkswagen</p> <p><b>27</b> Rear Axle<br/>Dana<br/>Ford, BMW</p> |
|--|---|--|